

Technical features

Digital clock

Style 5

Description :

- ▶ Led clock for indoor installation.
- ▶ Hour - minute display.
- ▶ Fixed or alternated time with date or week number display.
- ▶ Height of digit 5 cm, readability 20 metres.
- ▶ Led colours : red, green, yellow.
- ▶ Models : independent / 24V minute impulse receiver or IRIG-B/AFNOR coded time receiver.



Technical features :

- ▶ Injected ABS case black (IP30) with diffusing filter.
- ▶ Adjustable brightness (4 levels).
- ▶ Angle of vision 120°.
- ▶ 12 or 24 hour display mode.
- ▶ Automatic summer/winter time changeover and perpetual calendar.
- ▶ Data saving for 7 days.
- ▶ Accuracy of the time quartz base : 0,2 second/day.
- ▶ Silent operation.
- ▶ Programming and time setting through 2 buttons.
- ▶ Digit made of 7 segments with 3 Led each.
- ▶ Power supply 230V ±10%, 50/60 Hz.
- ▶ Consumption : 40 mA.
- ▶ Operating temperature : from -5 to 50°C.
- ▶ Weight : 0,8 Kg.

Norms :

- ▶ Norm NF EN50081-1 : generic emission standard.
- ▶ Norm NF EN50082-1 : generic immunity standard.
- ▶ Norm NF EN60950 : safety of information technology equipment.

Mounting Accessories :

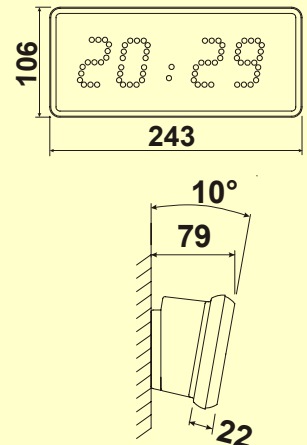
- ▶ Double sided bracket 936 300
- ▶ Single sided bracket 936 301
- ▶ Chain for ceiling suspension (double sided clock) 936 302
- ▶ Wall plate for recessed mounting 936 305

For wall plate support, add to the reference : B for white casing colour, N for black.

Led colours



Dimensions in mm



Style 5 references

- ▶ Independent / 24V minute impulse receiver 936 311
- ▶ IRIG B/AFNOR coded time receiver 936 321

Indicate Led colour by choosing the last number of the reference : red (1), green (2), yellow (3).



Bodet